



# Insulated Glass

## Where Elegance Meets Efficiency

**CATALOG**  
**FGM24**

**NGA**  
National Glass Association

**A+**  
RATING  
NCE 2013



OVER  
**500,000**  
CUSTOMERS  
SERVED

**CUSTOM**  
**278,000+**  
PRODUCTS MADE

**35K+**  
★★★★★

FIVE STAR  
REVIEWS

+1 888-474-2221 | support@fabglassandmirror.com | www.fabglassandmirror.com



## America's Premier Glass Vendor!

Today, Fab Glass and Mirror caters to residential and commercial customers, with prompt and reliable services and free shipping. What sets them unique is the initiative of the innovative Pro Partner program, offering glass sellers to buy glass in bulk quantity with the assurance of dependable arrival.

Above all, Fab Glass and Mirror has a dedicated shower enclosure team that designs your dream shower with detailed drawings and expertise. Offering exceptional customer services to both professionals and home customers, support officers are just a call or message away. Additionally, the web team acts as a quick response force, ready to answer your queries regarding glass fabrication and products.

### Approved Supplier To



## 11 Years in Business

**278K**

Custom Products Made

**100K+**

Design Projects Done

**500K+**

Customers Served

**35K+**

5 Star Reviews

**200K hrs**

Customer Support!

**24+**

Fabricators & Suppliers

**Inc. 500**

REGIONALS MIDWEST  
NO. 133 (2021), NO. 182 (2020)  
FASTEST GROWING PRIVATE COMPANIES

**Inc. 5000**

No. 4720 (2022), No. 2276 (2021),  
No. 2155 (2020), No. 1812 (2019),  
No. 892 (2018), No. 131 (2017),  
No. 185 (2016)

**Entrepreneur**  
MAGAZINE

360 BUSINESSES  
MASTERING ART & SCIENCE  
2018: Rank 191, 2019 Rank 336

**FT** FINANCIAL  
TIMES

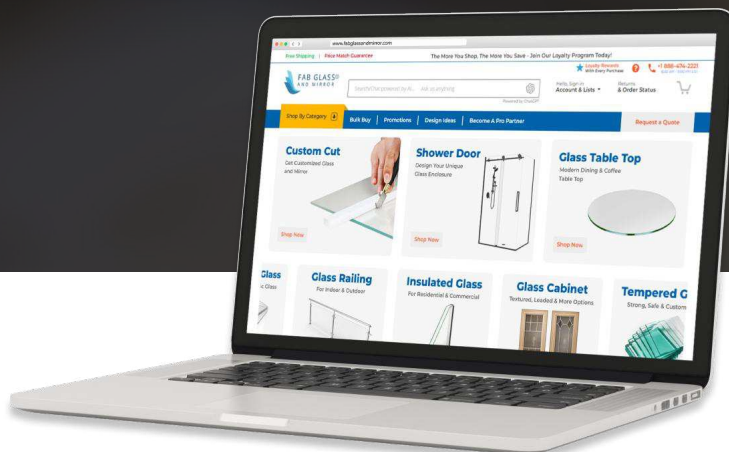
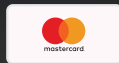
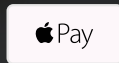
2020 Rank 250, 2021 Rank 295,  
2022 Rank 296, 2023 Rank 404

**Featured Business**

Google Economic Impact Report

[Read on Google.com](#)

### Payment Methods



# TABLE OF CONTENTS

## **Custom Insulated Glass**

Residential Insulated Glass	01
Commercial Insulated Glass	03
Insulated Glass Features	05

## **Insulated Glass Hardware**

Insulated Glass Unit (IGU)	11
Glass Types	12
Cleaning Products	13



## Residential Insulated Glass

Upgrade your space with both style and safety. Fab Glass and Mirror's insulated glass brings a touch of elegance while keeping your area secure. Refresh your setting with our top-quality insulated glass choices.



Fab Glass and Mirror's insulated glass combines energy efficiency with modern design, making it the perfect choice for both residential and commercial spaces. Dual-pane technology reduces heat transfer, keeps your home comfortable, and lowers energy bills. Ideal for windows, doors, and partitions, our insulated glass provides durability, noise reduction, and a sleek finish. Available in custom sizes and styles, it's designed to enhance your property's beauty and efficiency.



[Order A Custom Residential Insulated Glass](#)

In case of any questions, chat with us to get real-time Expert Support

[Chat With Us!](#)



Powered by ChatGPT



## Commercial Insulated Glass

Discover superior performance with Commercial Insulated Glass by Fab Glass and Mirror. Designed for energy efficiency and enhanced aesthetics, our insulated glass solutions elevate commercial spaces, ensuring optimal comfort and style. Upgrade your property with our cutting-edge glass technology.



Elevate your space with Commercial Insulated Glass, combining superior insulation with modern aesthetics. These insulated glass units offer energy efficiency and enhanced visuals, transforming any decor into a luxurious and sustainable space. Ideal for indoor and outdoor applications, our insulated glass ensures durability and style for both commercial and residential settings.



[Order A Custom Commercial Insulated Glass](#)

In case of any questions, chat with us to get real-time Expert Support

[Chat With Us!](#)



Powered by ChatGPT 

# Insulated Glass

## Where Elegance Meets Efficiency

Insulated glass is also commonly known as double-pane glass or an insulated glass unit. It contains multiple glass layers (ideally two) separated by an inert gas. This double glass bonding ensures no heat or cold air passes through the glass surface. That's how insulated glass insulates the environments where it is installed. It can be used in various residential and commercial spaces, such as doors, windows, storefronts, and skylights.



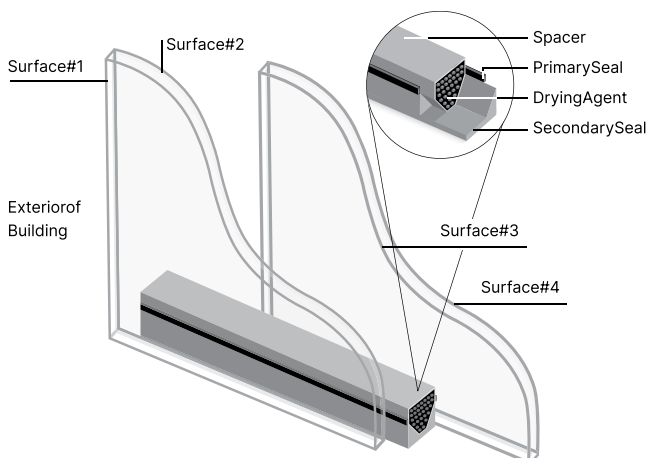
## Insulating Glass Features

Thermal properties: Outstanding thermal insulation and prime choice for energy-efficient building materials. Glass thermal conductivity stands at 0.688, vastly surpassing air's 0.027—making it 27 times more effective.

The air gap in double-glazed units significantly lowers internal thermal transfer. Insulated glass crafted with clear, low-E coated glass cuts the U value in half compared to monolithic glass, reducing it to just 0.6W/M2.K.

This superior insulation is ideal for use in passive houses, optimizing energy savings and comfort.

### Insulating Glass Unit



### Glass Types Available

Glass Type	Outboard Lite	Inboard Lite
<b>Clear</b>	Clear&Low-E	Clear&Low-E
<b>Tints</b>		Clear&Low-E
<b>Low-E</b>		Clear
<b>Spectrally Selective Tints</b>		Clear&Low-E
<b>Patterned</b>		Clear&Low-E
<b>Reflective#1or#2</b>		Clear&Low-E

Other include: Laminated Glass, Spandrel Glass, Silk-Screened Glass and Other Decorative Glass.

Glass Configuration	LT %	LR %	U-Summer	U-Winter	SC
Clear Insulated Glass	80%	10%	1.1	1.2	0.48
Low-E Insulated Glass	70%	14%	0.8	0.9	0.34
Tinted Insulated Glass	55%	20%	1.0	1.1	0.40
Reflective Insulated Glass	40%	35%	0.9	1.0	0.32
Patterned Insulated Glass	65%	12%	1.2	1.0	0.38

## Key Features:

1. Clear Insulated Glass: Provides high light transmission, ensuring natural brightness while offering moderate energy efficiency.
2. Low-E Insulated Glass: Reduces heat transfer, optimizing energy conservation, especially useful for reducing heating and cooling costs.
3. Tinted Insulated Glass: Offers enhanced solar control by reducing glare and heat gain, ideal for sun-facing windows.
4. Reflective Insulated Glass: Maximizes privacy while reflecting solar heat, making it a great choice for commercial applications.
5. Patterned Insulated Glass: Combines aesthetics with insulation, offering a decorative touch while maintaining energy efficiency.

## Noise insulation

Insulated glass can reduce noise by 27-50 decibels, and 80 dB of traffic noise outside can be decreased to only 50 dBs to indoor. Combing with laminated glass, insulated glass sound insulation performance can be Maximized. Insulated glass is also one kind of acoustic glass products.

Glass Configuration	STC (Sound Transmission Class)	OITC (Outdoor-Indoor Transmission Class)
6C+12A+6C	34	29
Tint Bronze 6C+12A+6C	34	29
Tint Grey 6C+12A+6C	34	29
Low-E 6C+12A+6C	35	30
Clear 6C+12A+6C	34	29
Frosted 6C+12A+6C	34	29

## Dew-Free Performance

Insulated glass effectively prevents condensation, maintaining clarity even at extreme temperatures. With an air or argon-filled gap between panes, the internal surface of the glass stays warm, minimizing dew formation.

In colder climates, this ensures the glass remains fog-free, enhancing visibility and performance.

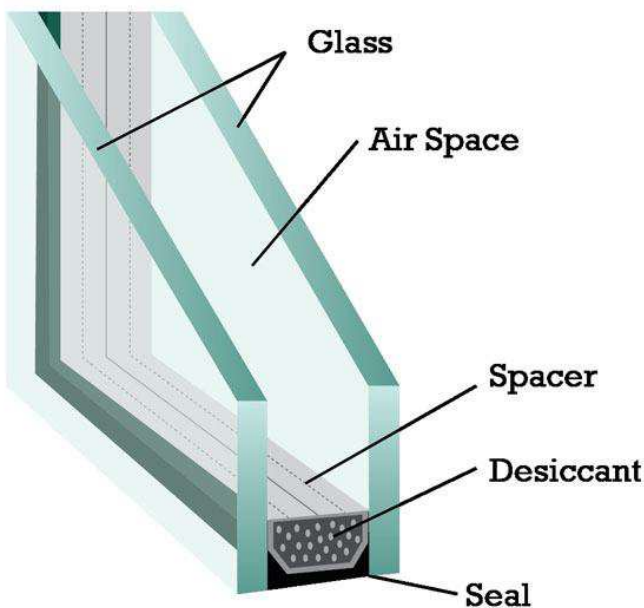
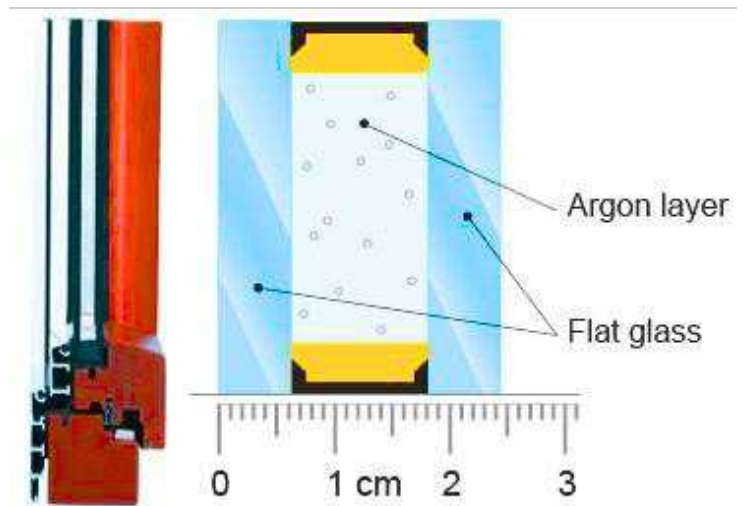
## Lightweight Advantage

Despite offering superior thermal insulation, insulated glass is relatively lightweight, reducing structural load.

For example, a typical insulated glass unit with a 6mm glass thickness weighs around 30 kg/m<sup>2</sup>, providing strong insulation without adding excessive weight to buildings.

## Long lifetime

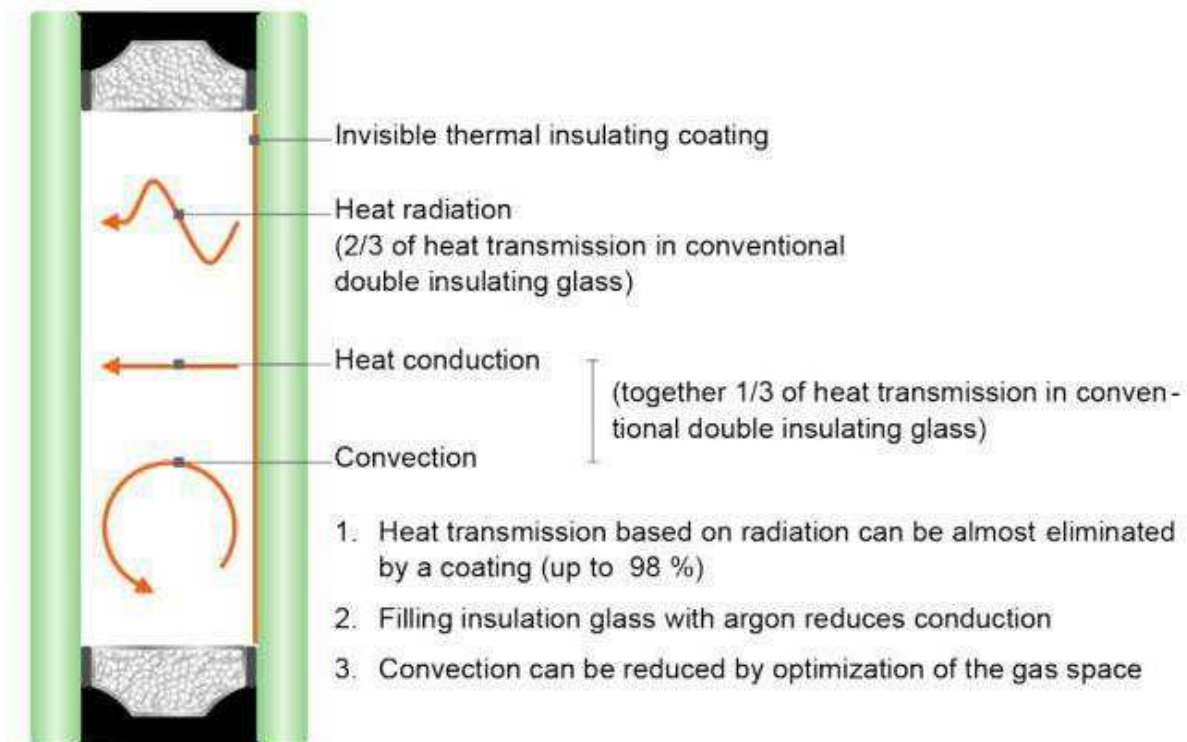
Insulating glass warranty time is 10 years, in most cases, the insulating lifetime can reach 20 years or even same lifetime as the building itself.



Insulated glass offers superior energy efficiency, concealing its edges within aluminum frames, making only the glass visible. This product is simple yet highly effective in energy conservation, used widely in various projects globally. However, many are unaware of its operational mechanics and the factors influencing its performance. Above, we have mentioned in detail the methods and types of heat transfer this technology employs.

## Heat Transfer Types

Discover how heat transfers in insulated glass—through conduction, convection, and radiation. This efficient mechanism ensures that heat flows from warmer to cooler surfaces, optimizing thermal performance and energy savings for your spaces.



## Heat Conduction

Thermal energy moves through materials with different mass densities. Insulated glass, with good thermal conductivity, allows far infrared energy to move from hotter to cooler areas effectively.

## Heat Convection

This involves the transfer of heat by the movement of fluids (liquids or gases) triggered by thermal expansion—where the hot part ascends and the cool descends, distributing thermal energy.

## Thermal Radiation

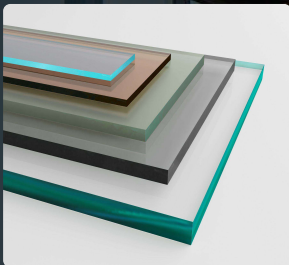
Radiant heat energy, emitted by a high temperature source, is absorbed when it strikes a material, converting absorbed energy into heat. In the context of glass, it means the glass heats up as it absorbs solar radiation.



Professional Grade

# Accessories & Hardware

Slim Base Shoe, Smart Base Shoe, Clamps, Adapters,  
Glass and Hardware Finish



**Glass Types**



**Hardware Finish**



**Spacers**



**Thicknesses**

Enhance your insulated glass installations with a selection of premium accessories, crafted for both style and function in residential and commercial environments. Keep your insulated glass pristine with our high-quality glass cleaner, designed to maintain smudge-free and crystal clear surfaces under any conditions.

Install our sleek shelf brackets along with insulated glass panels to create visually stunning glass shelves in kitchens, bathrooms, or commercial areas, which offer a modern look while ensuring robustness. Use our precision glass spacers for the installation of insulated glass in windows, doors, and partitions.

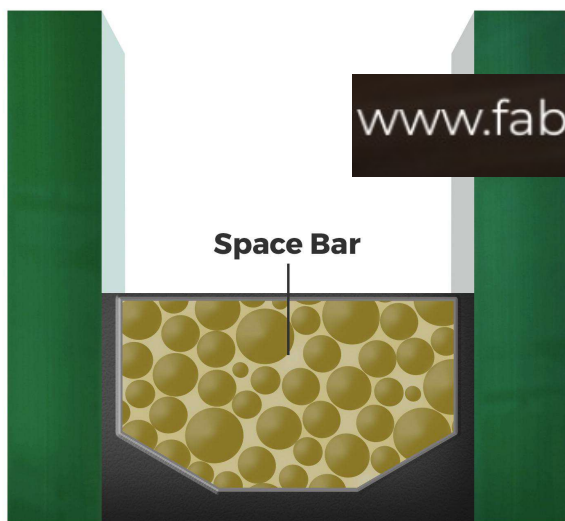
These spacers are vital for maintaining the perfect gap between panes, thus enhancing thermal insulation and energy efficiency. For easy access to offices, storefronts, or sliding doors in homes, consider adding our stylish glass handles to insulated glass doors. The handles not only enhance the appearance but also provide essential functionality.

## Insulated Glass Unit

### Highly Acclaimed Base Channel

The glass panes and the interlayer of inert gas together constitute an Insulated Glass Unit (IGU). Since all the components of an insulated glass panel are interdependent for proper functioning, therefore, it is generally referred to as an insulated glass unit.

The double pane glass and the separation gas together serve as a sealed system that cannot be replaced separately. You need to replace the whole unit for it to work properly. IGUs are also known as double pane glass windows and double-glazed windows.



[www.fabglassandmirror.com](http://www.fabglassandmirror.com)



#### Available Glass Thickness



#### Hardware Finishes



black      Bronze      Super Spacer      Aluminium

In case of any questions, chat with us to get real-time Expert Support

**Chat With Us!**



Powered by ChatGPT

**Order A Custom Cut Insulated Glass**

**10 YEAR WARRANTY**

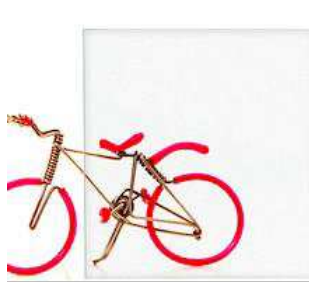


## Glass Types

We offer four glass types for insulated glass—Clear/Clear, Tint/Clear, Low-E/Clear, and Frosted/Clear—each providing excellent thermal performance and aesthetic appeal.



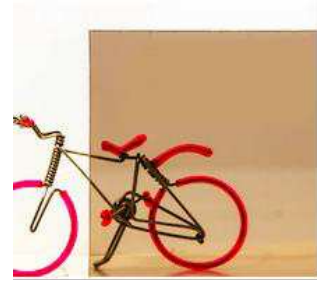
Clear Glass



Low Iron Glass



Frosted Glass



Tint Bronze Glass



Tint Grey Glass



Low Iron Glass



Frosted Glass



Tint Bronze Glass



Tint Grey Glass



Low Iron Glass

## 10" Silicon Blade Stainless Steel Black Handle Squeegee for Cleaning Insulated Glass Windows and Doors

SKU: (SQGE-MB)

- Stainless steel build with ergonomic handle for easy grip
- Silicone blade ensures streak-free cleaning without scratches
- Ideal for maintaining clarity and thermal efficiency of insulated glass
- Simple, tool-free installation with a robust suction cup for stability
- Supported by Fab Glass and Mirror's commitment to quality



## 10" Silicon Blade Stainless Steel Chrome Handle Squeegee for Cleaning Insulated Glass Windows and Doors

SKU: (SQGE-CH)

- Premium squeegee crafted by Fab Glass and Mirror
- Sleek and lightweight stainless steel design
- Perfect for cleaning insulated glass on windows and doors
- Simple, tool-free setup with a durable suction grip
- Sturdy design ensures stable use over time
- Silicone blade provides gentle, effective cleaning without marks
- Endorsed by Fab Glass and Mirror for unmatched quality



## Insulated Glass Cleaner Foam for Pristine Surfaces

SKU: (1973)

- Efficient spray foam designed for insulated glass care
- Effortless application: just spray and wipe for clear results
- Leaves behind a fresh, pleasant scent
- Eco-friendly formula minimizes environmental impact
- Ensures a streak-free finish, enhancing visibility and light transmission





America's Fastest-Growing Glass Supplier

## Buy Wholesale Glass With FAB Pro Partner Program

Fab Glass is your reliable and trustworthy wholesale glass manufacturer and distributor in the USA. Being a wholesale glass company, we specialize in making and delivering glass and mirror products in bulk quantities.

**New Spend & Save Discount Pricing!**

\*For Qualified Customers

[Learn More](#)

**We Supply America's Contractors**

The latest in Glass Tech delivered on-time to your job site

**Net30 Payment Terms Available!**

\*For Qualified Customers

[Learn More](#)

## Who Qualifies for Our Pro Partner Program?



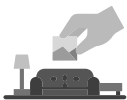
### Retailers

If you sell glass to your consumers directly, but in small quantities and acquire the glass from wholesalers or manufacturers, you are eligible for the Pro Partner Program.



### Contractors/Remodelers

A company or a professional, having expertise in renovating, remodeling, or reconstructing, residential or commercial properties, including glass installation, are eligible.



### Interior Designers

If you specialize in designing or decorating indoor spaces, such as homes, offices, or other commercial environments, you qualify for the Pro Partner Program.



### Glass Companies

Glass companies that sell glass and mirror products online can also join our Pro Partner Program.

## Benefits of becoming a Pro Partner with us



Dedicated Sale Person



Job Site Delivery



Net 30 Payment Terms



Competitive Pricing



One Click Ordering



Faster Processing



Spend & Save Tier Pricing



Loyalty Rewards Program

Sign Up  
**Now**  
and become a





## We also deal in:

- Plexi & Acrylic Glass
- Laminated Glass
- Glass Railing
- Storefront Glass
- Frosted Glass
- Glass Table Tops
- Fire Rated Glass
- Replacement Glass
- Bullet Resistant Glass
- Tint Glass
- Cabinet Glass
- Mirrors
- Glass Shelves
- Back Painted Glass
- Dining Table Glass
- MirrorView™
- Antique Mirror
- Activity Gym Mirror
- Pattern Glass
- Hurricane Glass
- Backsplash Glass
- Crackled Glass
- Polycarbonate Sheet
- Silk Printing Glass
- Glass Shower Door
- Tempered Glass
- Condominium Mirror
- Glass Board

Simply visit our website

[www.fabglassandmirror.com](http://www.fabglassandmirror.com)

Or call one of our professionals at

**888-474-2221**

Ohio  
374 Westdale Ave Suite B,  
Westerville, OH 43082

Florida  
499 Douglas Road E STE B,  
Oldsmar, FL 34677